

# Water at Work

WATER COOLER SERVICE



## CRYSTAL MOUNTAIN EVEREST

The Everest is sleek with a two toned aesthetic which will enhance any space. It's sturdy and ergonomic faucet handles are 7" higher than traditional units enabling effortless dispensing.

The removable side panels facilitate access to all electrical components for easy maintenance and servicing. The innovative removable reservoir and faucet assembly make the cleaning and sanitizing process quick and simple.

### KEY FEATURES:

- Slim and Sleek with a matt finish.
- Removable reservoir and faucets.
- DryGuard™ patented no spill system.
- Integrated cup dispenser.

### MODELS:

- Hot & Cold
- Ambient & Cold

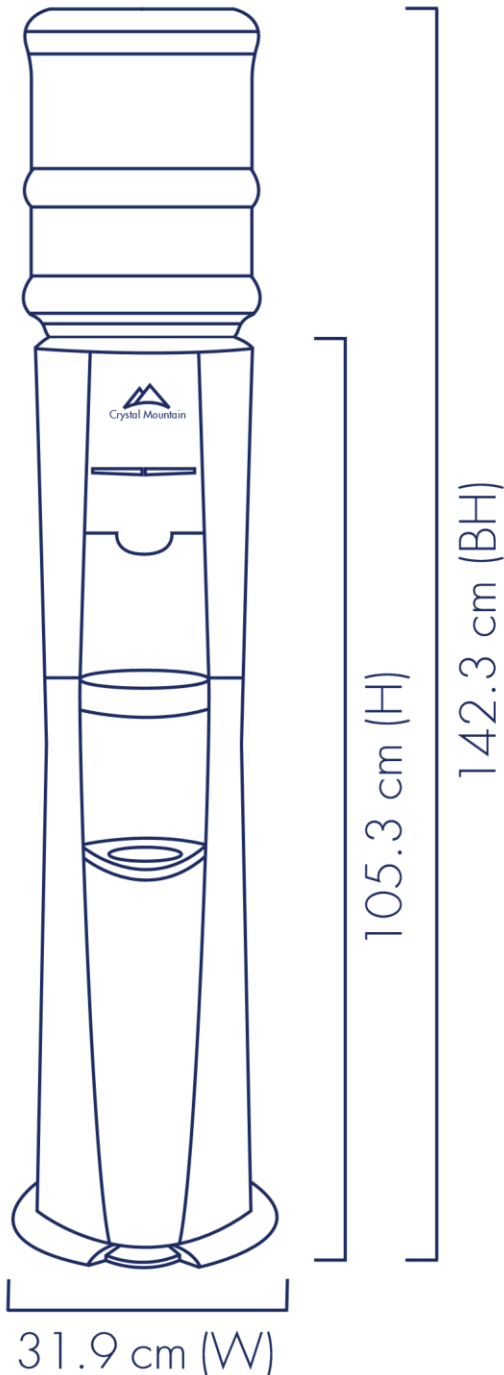


FOR YOUR FREE TRIAL CALL:

**01949 831 094**

# Water at Work

WATER COOLER SERVICE



## INSTALLATION REQUIREMENTS:

The Everest cooler can be installed anywhere that has a plug socket and allows for at least 7cm for ventilation around the cooler.

## KEEP COOLER AWAY FROM:

- Direct sunlight.
- Dusty or humid environments.
- Uneven or sloping surfaces.
- Keep water cooler indoors.

## Technical features

Type	Floor-standing
Colour	Black w/Chrome edging
Capacity	2.35 litres
Weight	12.7 Kg
Temp range	4°C - 92°C
Wattage range	80 - 450 watts
Dimensions	W31.9cm x D32.7cm x H105.3cm

FOR YOUR FREE TRIAL CALL:

**01949 831 094**

